



National
Qualifications
2024

X835/75/11

**Graphic Communication
Supplementary sheets**

THURSDAY, 16 MAY

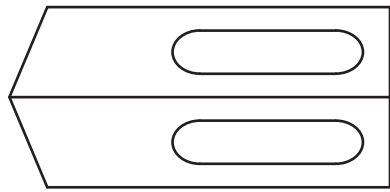
9:00 AM – 11:00 AM

Supplementary sheet 1 for use with question 1 (a) (i),(ii) and (iv), supplementary sheet 2 for use with question 4 (b), and supplementary sheet 3 for use with question 4 (d) and (e).



* X 8 3 5 7 5 1 1 *

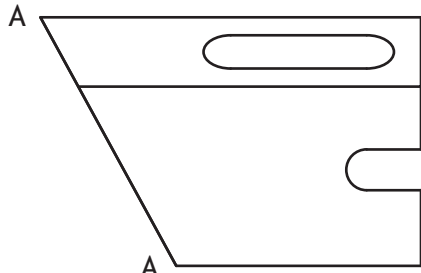
Supplementary sheet 1 for use with question 1 (a) (i), (ii) and (iv)



PLAN

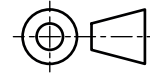


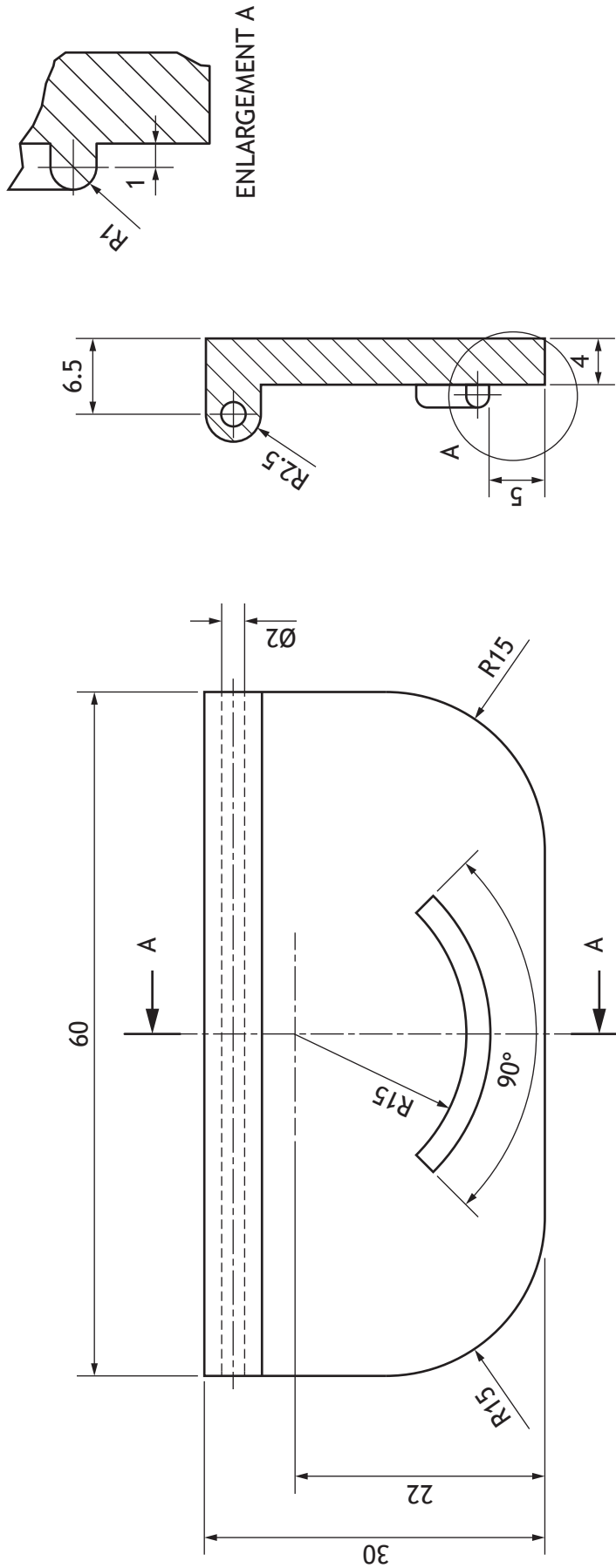
PICTORIAL



ELEVATION

Note: hidden detail has been removed for clarity



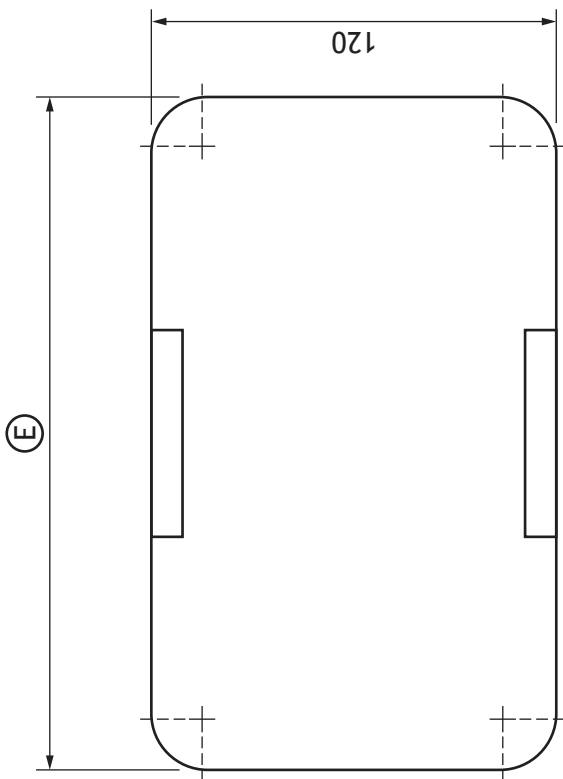


SECTION A-A

ELEVATION



Supplementary sheet 3 for use with question 4 (d) and (e)



ALL FILLETS 15 mm

