



FOR OFFICIAL USE

--	--	--	--	--	--

National  
Qualifications  
2018

Mark

--

**X847/75/01**

**Mathematics  
Paper 1 (Non-Calculator)**

FRIDAY, 4 MAY

9:00 AM – 10:15 AM



\* X 8 4 7 7 5 0 1 \*

Fill in these boxes and read what is printed below.

Full name of centre

--

Town

--

Forename(s)

--

Surname

--

Number of seat

--

Date of birth

Day

--	--

Month

--	--

Year

--	--

Scottish candidate number

--	--	--	--	--	--	--	--	--	--

**Total marks — 50**

Attempt ALL questions.

**You may NOT use a calculator.**

To earn full marks you must show your working in your answers.

State the units for your answer where appropriate.

Write your answers clearly in the spaces provided in this booklet. Additional space for answers is provided at the end of this booklet. If you use this space you must clearly identify the question number you are attempting.

Use **blue** or **black** ink.

Before leaving the examination room you must give this booklet to the Invigilator; if you do not, you may lose all the marks for this paper.



\* X 8 4 7 7 5 0 1 0 1 \*

## FORMULAE LIST

The roots of  $ax^2 + bx + c = 0$  are  $x = \frac{-b \pm \sqrt{b^2 - 4ac}}{2a}$

Sine rule:  $\frac{a}{\sin A} = \frac{b}{\sin B} = \frac{c}{\sin C}$

Cosine rule:  $a^2 = b^2 + c^2 - 2bc \cos A$  or  $\cos A = \frac{b^2 + c^2 - a^2}{2bc}$

Area of a triangle:  $A = \frac{1}{2}ab \sin C$

Volume of a sphere:  $V = \frac{4}{3}\pi r^3$

Volume of a cone:  $V = \frac{1}{3}\pi r^2 h$

Volume of a pyramid:  $V = \frac{1}{3}Ah$

Standard deviation:  $s = \sqrt{\frac{\sum(x - \bar{x})^2}{n - 1}}$

or  $s = \sqrt{\frac{\sum x^2 - \frac{(\sum x)^2}{n}}{n - 1}}$ , where  $n$  is the sample size.



\* X 8 4 7 7 5 0 1 0 2 \*

MARKS

DO NOT  
WRITE IN  
THIS  
MARGIN

Total marks — 50  
Attempt ALL questions

1. Evaluate  $2\frac{1}{3} + \frac{4}{5}$ .

2

2. Expand and simplify  $(3x+1)(x-1) + 2(x^2-5)$ .

3



\* X 8 4 7 7 5 0 1 0 3 \*

3. Solve, algebraically, the system of equations

$$4x + 5y = -3$$

$$6x - 2y = 5.$$

3

4. Two vectors are given by  $\mathbf{u} = \begin{pmatrix} 1 \\ 5 \\ 1 \end{pmatrix}$  and  $\mathbf{u} + \mathbf{v} = \begin{pmatrix} 6 \\ -4 \\ 3 \end{pmatrix}$ .

Find vector  $\mathbf{v}$ .

Express your answer in component form.

2

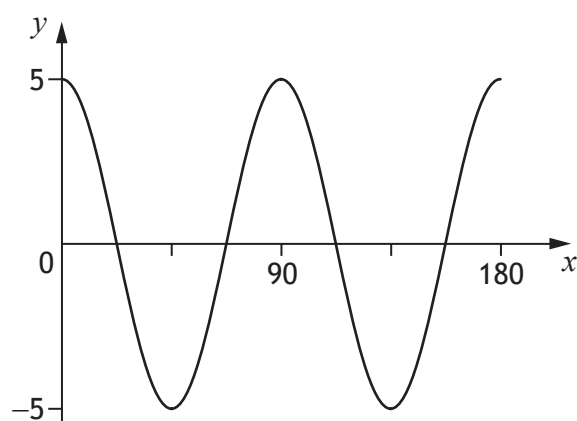


5. Solve

$$x^2 - 11x + 24 = 0.$$

2

6. Part of the graph of  $y = a \cos bx^\circ$  is shown in the diagram.



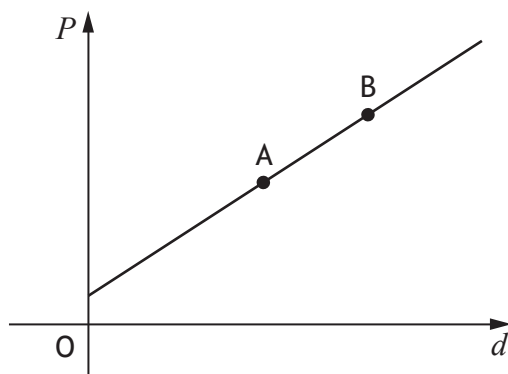
State the values of  $a$  and  $b$ .

2



\* X 8 4 7 7 5 0 1 0 5 \*

7. The cost of a journey with Tom's Taxis depends on the distance travelled.  
 The graph below shows the cost,  $P$  pounds, of a journey with Tom's Taxis against the distance travelled,  $d$  miles.



Point A represents a journey of 8 miles which costs £14.  
 Point B represents a journey of 12 miles which costs £20.

- (a) Find the equation of the line in terms of  $P$  and  $d$ .  
 Give the equation in its simplest form.

3



MARKS

DO NOT  
WRITE IN  
THIS  
MARGIN

7. (continued)

(b) Calculate the cost of a journey of 5 miles.

1

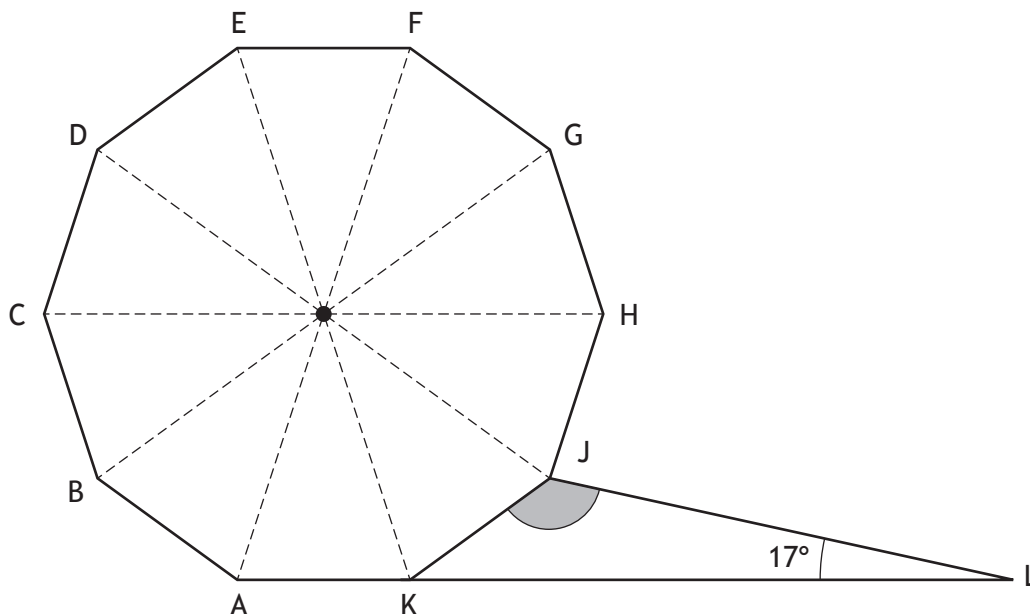
8. Determine the nature of the roots of the function  $f(x) = 2x^2 + 4x + 5$ .

2



\* X 8 4 7 7 5 0 1 0 7 \*

9. In the diagram shown below, ABCDEFGHJK is a regular decagon.
- Angle KLJ is  $17^\circ$ .
  - AKL is a straight line.



Calculate the size of shaded angle KJL.

2

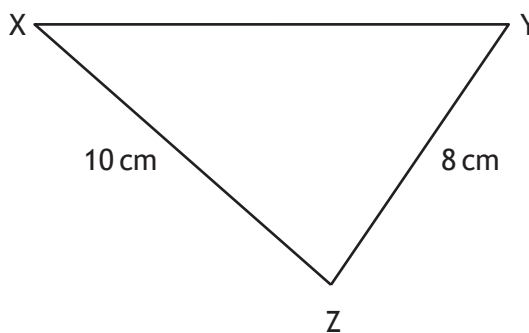


MARKS

DO NOT  
WRITE IN  
THIS  
MARGIN

10. In triangle XYZ:

- $XZ = 10$  centimetres
- $YZ = 8$  centimetres
- $\cos Z = \frac{1}{8}$ .



Calculate the length of XY.

3



\* X 8 4 7 7 5 0 1 0 9 \*

MARKS

DO NOT  
WRITE IN  
THIS  
MARGIN

11. Express  $\frac{9}{\sqrt{6}}$  with a rational denominator.  
Give your answer in its simplest form.

2

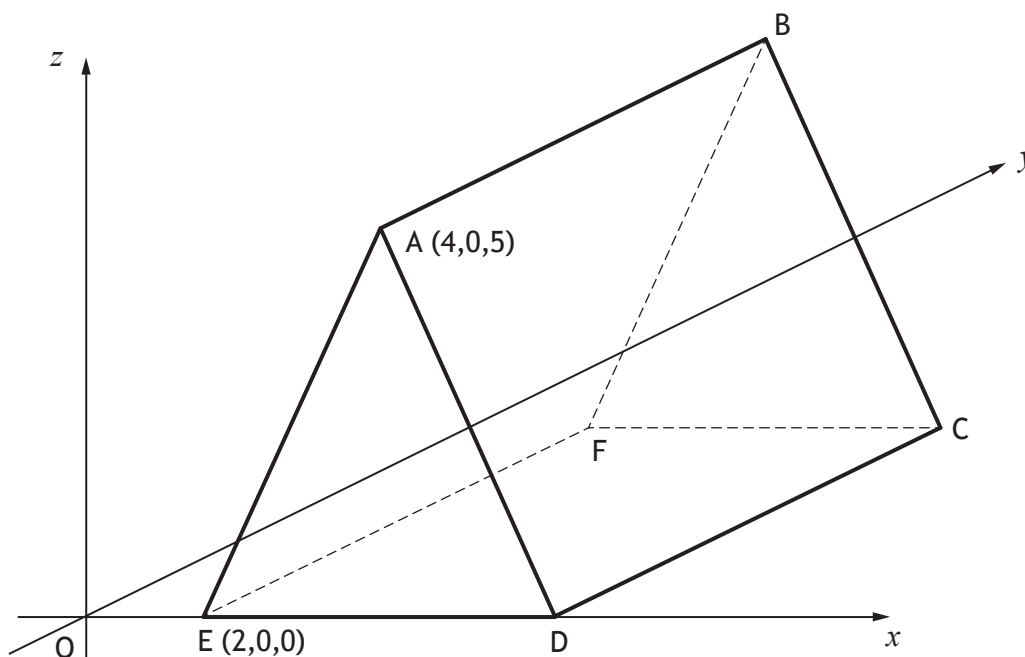
12. Given that  $\cos 60^\circ = 0.5$ , state the value of  $\cos 240^\circ$ .

1



\* X 8 4 7 7 5 0 1 1 0 \*

13. The diagram shows a triangular prism, ABCDEF, relative to the coordinate axes.



- $AD = AE$ .
- $DC = 8$  units.
- Edges  $EF$ ,  $DC$  and  $AB$  are parallel to the  $y$ -axis.

Write down the coordinates of  $B$  and  $C$ .

2



\* X 8 4 7 7 5 0 1 1 1 \*

MARKS

DO NOT  
WRITE IN  
THIS  
MARGIN

14. Change the subject of the formula  $y = g\sqrt{x+h}$  to  $x$ .

3

15. Remove the brackets and simplify  $\left(\frac{2}{3}p^4\right)^2$ .

2



\* X 8 4 7 7 5 0 1 1 2 \*

MARKS

DO NOT  
WRITE IN  
THIS  
MARGIN

16. Sketch the graph of  $y = (x - 6)(x + 4)$ .

On your sketch, show clearly the points of intersection with the  $x$ -axis and the  $y$ -axis, and the coordinates of the turning point.

3

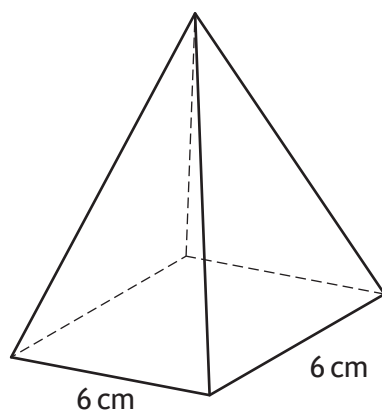


\* X 8 4 7 7 5 0 1 1 3 \*

MARKS

DO NOT  
WRITE IN  
THIS  
MARGIN

17. A square based pyramid is shown in the diagram below.



The square base has length 6 centimetres.

The volume is 138 cubic centimetres.

Calculate the height of the pyramid.

3



\* X 8 4 7 7 5 0 1 1 4 \*

MARKS

DO NOT  
WRITE IN  
THIS  
MARGIN

2

18. Express  $\sin x^\circ \cos x^\circ \tan x^\circ$  in its simplest form.  
Show your working.



\* X 8 4 7 7 5 0 1 1 5 \*

MARKS

DO NOT  
WRITE IN  
THIS  
MARGIN

19. (a) (i) Express  $x^2 - 6x - 81$  in the form  $(x - p)^2 + q$ .

2

(ii) Hence state the equation of the axis of symmetry of the graph of  
 $y = x^2 - 6x - 81$ .

1



\* X 8 4 7 7 5 0 1 1 6 \*

19. (continued)

- (b) The roots of the equation  $x^2 - 6x - 81 = 0$  can be expressed in the form  $x = d \pm d\sqrt{e}$ .

Find, algebraically, the values of  $d$  and  $e$ .

4

[END OF QUESTION PAPER]



\* X 8 4 7 7 5 0 1 1 7 \*

MARKS

DO NOT  
WRITE IN  
THIS  
MARGIN

ADDITIONAL SPACE FOR ANSWERS



\* X 8 4 7 7 5 0 1 1 8 \*



MARKS

DO NOT  
WRITE IN  
THIS  
MARGIN

ADDITIONAL SPACE FOR ANSWERS

--



\* X 8 4 7 7 5 0 1 1 9 \*

[BLANK PAGE]

DO NOT WRITE ON THIS PAGE



\* X 8 4 7 7 5 0 1 2 0 \*