

FOR OFFICIAL USE



National
Qualifications
2025

Mark

X847/75/02

**Mathematics
Paper 2**

WEDNESDAY, 14 MAY
10:30 AM – 12:00 NOON



Fill in these boxes and read what is printed below.

Full name of centre

Town

Forename(s)

Surname

Number of seat

Date of birth

Day

Month

Year

Scottish candidate number

Total marks — 50

Attempt ALL questions.

You may use a calculator.

To earn full marks you must show your working in your answers.

State the units for your answer where appropriate.

Write your answers clearly in the spaces provided in this booklet. Additional space for answers is provided at the end of this booklet. If you use this space you must clearly identify the question number you are attempting.

Use **blue** or **black** ink.

Before leaving the examination room you must give this booklet to the Invigilator; if you do not, you may lose all the marks for this paper.



FORMULAE LIST

The roots of $ax^2 + bx + c = 0$ are $x = \frac{-b \pm \sqrt{(b^2 - 4ac)}}{2a}$

Sine rule $\frac{a}{\sin A} = \frac{b}{\sin B} = \frac{c}{\sin C}$

Cosine rule $a^2 = b^2 + c^2 - 2bc \cos A$ or $\cos A = \frac{b^2 + c^2 - a^2}{2bc}$

Area of a triangle $A = \frac{1}{2}ab \sin C$

Volume of a sphere $V = \frac{4}{3}\pi r^3$

Volume of a cone $V = \frac{1}{3}\pi r^2 h$

Volume of a pyramid $V = \frac{1}{3}Ah$

Standard deviation $s = \sqrt{\frac{\Sigma(x - \bar{x})^2}{n - 1}}$

or $s = \sqrt{\frac{\Sigma x^2 - \frac{(\Sigma x)^2}{n}}{n - 1}}$, where n is the sample size.



* X 8 4 7 7 5 0 2 0 2 *

Total marks — 50
Attempt ALL questions

1. The number of visitors to a zoo in 2024 was 118 750.

The number of visitors is expected to increase by 4% each year over the next two years.

Calculate the expected number of visitors in 2026.

3

[Turn over



* X 8 4 7 7 5 0 2 0 3 *

2. A shop sells footballs in the shape of a sphere with diameter 21 centimetres.



Calculate the volume of the football.
Give your answer correct to 3 significant figures.

3



3. The mass of one atom of gold is 3.27×10^{-22} grams.
The mass of one atom of carbon is 6.1% of the mass of an atom of gold.
Calculate the mass of one atom of carbon.
Give your answer in scientific notation.

2

[Turn over



* X 8 4 7 7 5 0 2 0 5 *

4. The weights, in kilograms, of a sample of rugby players in Scotland are shown.

93 103 99 105 88 106 92

- (a) Calculate the mean and standard deviation of these weights.

4



* X 8 4 7 7 5 0 2 0 6 *

4. (continued)

A sample of rugby players in France has a mean weight of 105 kilograms and a standard deviation of 5.9 kilograms.

- (b) Make two valid comments comparing the **weights** of the rugby players in the samples from Scotland and France.

2

5. Express $x^2 + 10x + 19$ in the form $(x + a)^2 + b$.

2

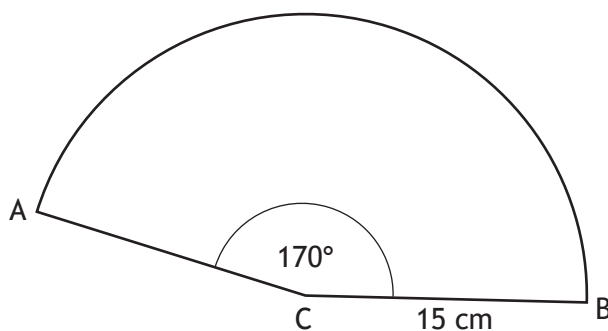
[Turn over



6. A party hat is made in the shape of a cone, as shown.



The piece of card used for making the hat is a sector of a circle, centre C.



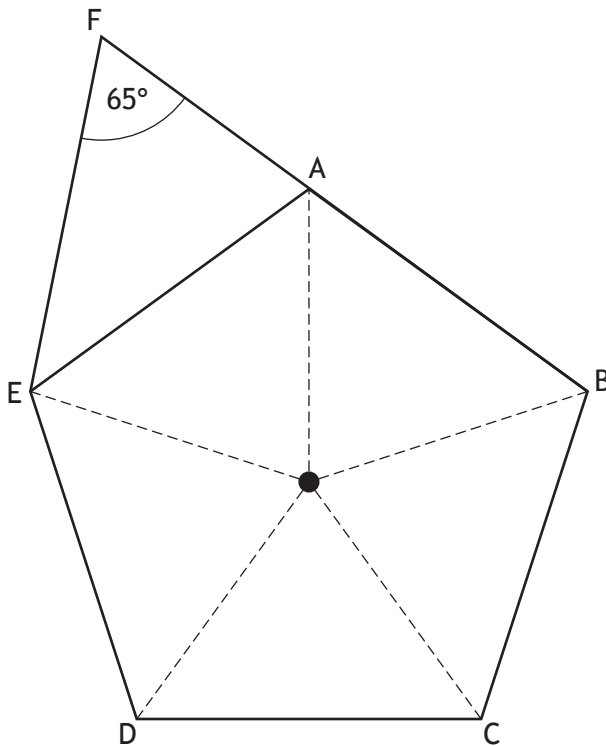
The radius of the circle is 15 centimetres and angle ACB is 170° . Calculate the area of the sector.

3



7. In the diagram, ABCDE is a regular pentagon.

- Angle EFA is 65° .
- FAB is a straight line.



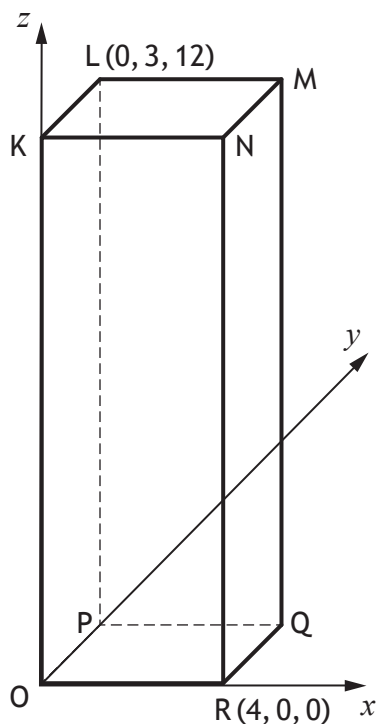
Calculate the size of angle FEA.

2

[Turn over



8. The diagram shows a cuboid, KLMNOPQR, relative to the coordinate axes.



L has coordinates $(0, 3, 12)$.

R has coordinates $(4, 0, 0)$.

(a) Write down the coordinates of M.

1

(b) Calculate the length of the space diagonal OM.

3



9. Change the subject of the formula $B = \frac{1}{4}kc^2 - 3c$ to k .

[Turn over



* X 8 4 7 7 5 0 2 1 1 *

10. On Bob's lorry there are 7 stacks of paving slabs and 3 stacks of edging blocks.

The total weight of these stacks is 2400 kilograms.

Let p be the weight of a stack of paving slabs and e be the weight of a stack of edging blocks.

- (a) Write down an equation in p and e to illustrate this information.

1

Imran has 3 stacks of paving slabs and 4 stacks of edging blocks on his lorry.

The total weight of these stacks is 1300 kilograms.

- (b) Write down an equation in p and e to illustrate this information.

1

Beth has 6 stacks of paving slabs and 5 stacks of edging blocks on her lorry.

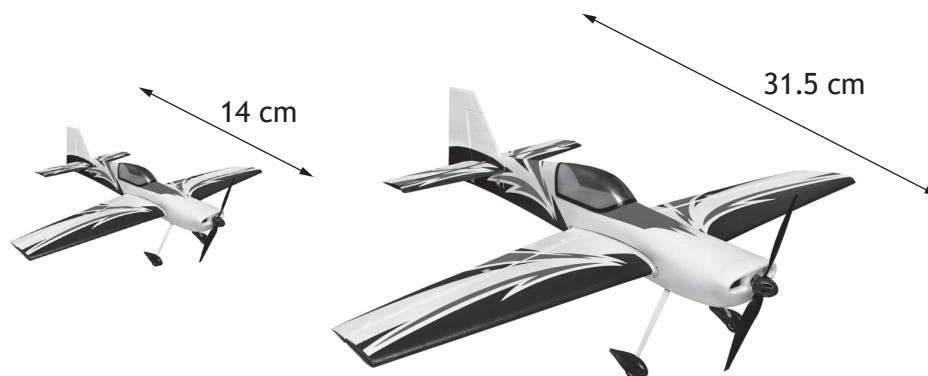
- (c) Calculate the **total weight** of the stacks of paving slabs and edging blocks on Beth's lorry.

4



* X 8 4 7 7 5 0 2 1 2 *

11. Two model aircraft are mathematically similar.



The small model is 14 centimetres long, and the area of one wing is 24 square centimetres.

The large model is 31.5 centimetres long.

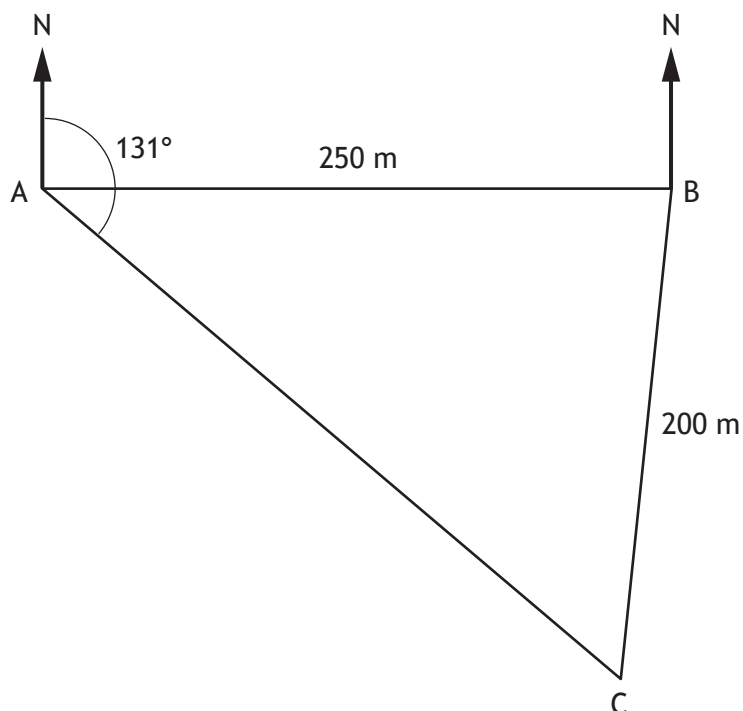
Calculate the area of one wing of the large model.

3

[Turn over



12. In the diagram A, B and C represent the positions of three checkpoints in an orienteering course.



- B is 250 metres east of A.
- The bearing of C from A is 131° .
- C is 200 metres from B.

Calculate the bearing of C from B.

Do not use a scale drawing.

4



* X 8 4 7 7 5 0 2 1 4 *

MARKS

DO NOT
WRITE IN
THIS
MARGIN

13. Solve the equation $\frac{5x+1}{2} = \frac{4x}{3} + 1$.

3

[Turn over



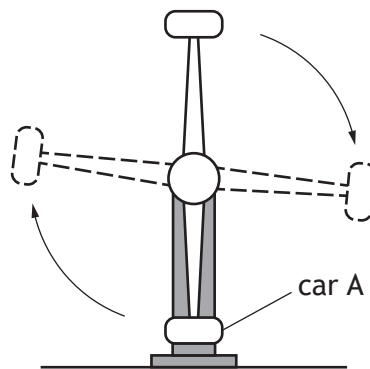
* X 8 4 7 7 5 0 2 1 5 *

14. A ride at a theme park has a car attached to each end of a rotating arm.



MARKS DO NOT WRITE IN THIS MARGIN

The starting position of car A is shown in the diagram.



As the arm rotates clockwise, the height, h metres, of car A above the ground in each rotation is given by

$$h = 10 - 8 \cos x^\circ, \quad 0 \leq x < 360$$

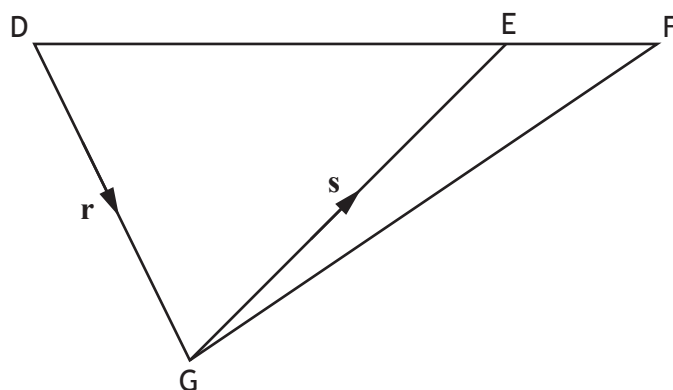
where x° is the angle the arm has turned from car A's starting position.

Calculate the **two** values of x for which the height of car A is 13 metres above the ground.

4



15. In the diagram, \vec{DG} and \vec{GE} are represented by the vectors \mathbf{r} and \mathbf{s} respectively, and $\vec{DE} = 3\vec{EF}$.



Express \vec{GF} in terms of \mathbf{r} and \mathbf{s} .
Give your answer in its simplest form.

2

[END OF QUESTION PAPER]



MARKS DO NOT
WRITE IN
THIS
MARGIN

ADDITIONAL SPACE FOR ANSWERS



* X 8 4 7 7 5 0 2 1 8 *

MARKS DO NOT
WRITE IN
THIS
MARGIN

ADDITIONAL SPACE FOR ANSWERS



* X 8 4 7 7 5 0 2 1 9 *

[BLANK PAGE]

DO NOT WRITE ON THIS PAGE

Acknowledgement of copyright

Question 6 New Africa/shutterstock.com
Question 11 Tatiana Popova/shutterstock.com
Question 14 Annette Shaff/shutterstock.com



* X 8 4 7 7 5 0 2 2 0 *